

### Rates, Extras, Terms 2023 (from December 20, 2022 until further notice)

1 Charter Rates	Pax	Rate in €/ \$	Deposit
Full Day (7 hours)	1 - 14	3450	20 %
	15 - 30	4020	20 %

Half Day (4 hours) Half day charters are only possible from/to our base in Anse Marcel.  
 Morning: 8:30 am to 12:30 pm / Afternoon: 1:00 pm to 5:00 pm  
 Rates : € / US\$ 2420 for up to 14 guests, € / US\$ 3070 for 15 to 30 guests.

Please note that crew gratuities (10% of charter rate) will be added to the total of any charter. Thank you.

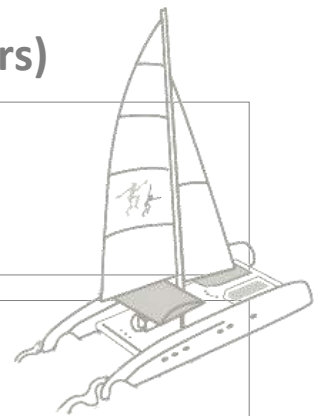
### 2 Extras (taxes/marine park, delivery fees, lunch, others)

**Taxes/Marine Park Fees** → applicable for all charters, rates depending on destination :

For St. Martin waters : 25 €/ US\$ per person

For Anguilla waters : 30 €/ US\$ per person

Deliveries :	Pick-up time	Fees:
To Marigot :	9:00 earliest	170 €/ US\$
To Anguilla :	9:30 earliest	345 €/ US\$
To St. Barths (Gustavia):	10:00 earliest	400 €/ US\$ plus 68 €/ US\$ port fee + US \$ 5 /pax



**Open bar :** We have a well sorted standard open bar, which is **included** in the charter rate:  
 Water (flat/sparkling), coke, diet coke, sprite, beer, light beer, fruit juices,  
 red/white/rose wines, gin/tonic, vodka/orange, T'punch – or try our great rum punch!

**Premium wines/liquors :** On request, **extra charge**. We can get you almost anything, ask for a quote.

**Snacks :** Light snacks (veggie dips, banana cake, nuts/pretzels...) are **included** as a standard.  
*Please let us know if you require anything in particular (diet requirements).*

**Lunch :** Lunch is **not included** in the charter rate.  
 You will find menu suggestions on the 2<sup>nd</sup> page if you would like a buffet on board (cold),  
 Or plan a stop at one of the many beach restaurants the islands offer. We'll be happy to assist with recommendations / reservations if needed.

### 3 Menu options for a buffet on board

**COLD BUFFET GOURMAND**

Chicken Salad sautéed with veggies  
 Poached Mahi-mahi with Dill sauce  
 Fresh Mediterranean pasta salad  
 Fresh Couscous salad with mint  
 —  
 Cheeses platter

**€ 40 / \$46 per person**

**COLD BUFFET PRESTIGE**

Antipasti platter  
 —  
 Mesclun Salad with Mango and Caramelized Pecan  
 —  
 Sliced Filet Mignon with Tarragon sauce  
 Half Lobster with Spicy mayo  
 Sweet Potatoes salad with Olive Oil  
 —  
 Cheeses platter  
 —  
 Fruits Brochettes and Almond Financiers

**€ 70 / \$78 per person**

**COLD CARIBBEAN BUFFET**

Grilled Marinated Shrimp (3 per person)  
 Cheeses Platter  
 —  
 Grilled Mahi Mahi with sauce Chien  
 Chicken Curried Salad  
 —  
 Wild Rice Salad with Apricot  
 Cesar salad  
 —  
 Cheesecake with Fresh Fruits

**€ 55 / \$63 per person**

All buffet lunches are served with an assortment of fresh bread and wine (rose/white/red, good table wine quality)

Please note:  
 Minimum order: For 12 guests  
 Latest order: 5 days in advance  
 Latest cancelation: 5 days in advance



### 4 Terms and conditions

**Confirmation of a reservation :** A 20% deposit is required, as well as a Visa or MC number plus expiration date which will be kept on file.

**Payments:** Besides the original 20% deposit, balance payments for charter rate and extras (including lunches if applicable) are due latest 5 days prior to the charter. Taxes/Marine Park fees can be added after the charter if the destination is not defined prior to the actual charter date.

**Cancellation fees:** For cancellations within 4 weeks of the charter date the cancellation fee is 20% of the charter rate (equivalent to deposit). For cancellations less than 5 days prior to the charter date, a total of 70% of the charter rate (excluding extras) will be due.

Should the charter not be possible due to a technical problem of the boat or weather conditions which would make the excursion dangerous (for instance storm warning), all efforts will be made to find a replacement date/boat. Should neither be possible, all payments made up to this point will be refunded.

**Holiday periods:** Please note that there is a holiday surcharge of 10% on the charter rates from December 20<sup>th</sup> to January 8<sup>th</sup>, as well as the Easter holidays and Thanksgiving week.